



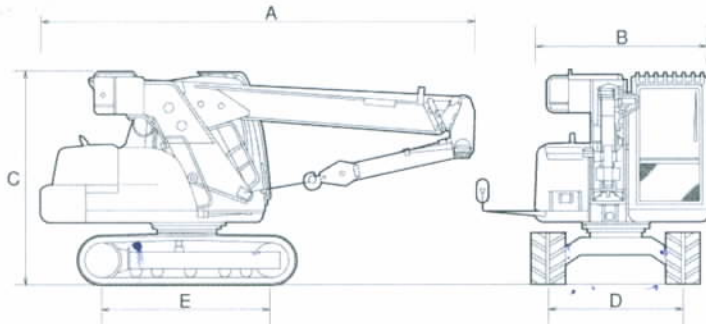
4.9Ton Crawler Crane - Komatsu LC605



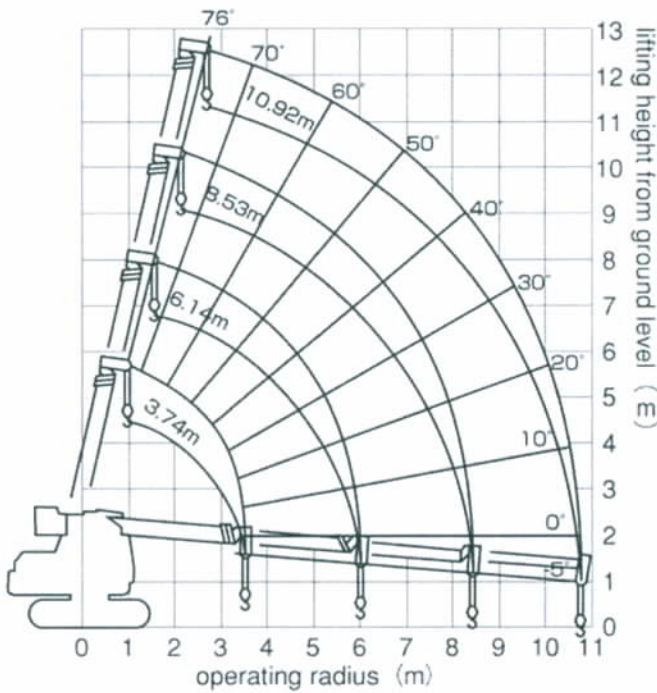
LC605

Specifications

MAKE		KOMATSU	
MODEL		LC605	
Total weight		8,000 kg	
Dimensions	Overall length	A	5,535 mm
	Overall width	B	2,290 mm
	Overall height	C	2,690 mm
	Track gauge	D	1,700 mm
	Length of track on ground	E	2,220 mm
	Min. ground clearance		
Performance	Max. lifting load	4.9 ton X 2.0 m	
	Max. operating radius	10.72 m X 0.28 ton	
	Max. lifting height	11.3 m	
	Boom length	3,740 ~ 10,920 mm	
	Boom telescopic speed	19 sec / 7.18 m	
	Swing speed	2.2 rpm	
Travel speed		3.7 km/h	
Fly wheel house power		40.5 kw(55 ps)/2,100 rpm	
Fuel tank		130 liters	



Maximum Loading chart (ton)



Operating radius(m)	Boom length (telescopic)		
	3.74~6.14m (1st~2nd)	6.14~8.53m (1st~3rd)	8.53~10.92m (4TM)
2.0	4.9 (2)		
2.1	4.5 (2)		
2.25	4 (2)		
2.45	3.5 (1.75)	3 (1.5)	
2.7	3 (1.5)	3 (1.5)	
3.0	2.50 (1.25)	2.56 (1.28)	2 (1)
3.5	2.04 (1.02)	2.04 (1.02)	2 (1)
4.0	1.69 (0.845)	1.96 (0.845)	1.69 (0.845)
4.5	1.43 (0.715)	1.43 (0.715)	1.43 (0.715)
5.0	1.23 (0.615)	1.23 (0.615)	1.23 (0.615)
5.5	1.07 (0.535)	1.07 (0.535)	1.07 (0.535)
5.94	0.97 (0.485)	0.97 (0.485)	0.97 (0.485)
6.0		0.96 (0.48)	0.96 (0.480)
6.5		0.80 (0.4)	0.8 (0.4)
7.0		0.69 (0.345)	0.69 (0.345)
7.5		0.58 (0.29)	0.58 (0.29)
8.0		0.52 (0.26)	0.52 (0.26)
8.33		0.49 (0.245)	0.49 (0.245)
9.0			0.42 (0.210)
10.0			0.33 (0.165)
10.72			0.28 (0.140)